

APPLICATION:

JOB NAME:

QUANTITY:                      ITEM NO.

PRODUCT NAME:

ADD-ON FAUCET LESS SWING SPOUT

SPECIAL CONFIGURATION  
 CHECK BASE MODEL AND OPTIONS

MODEL:

2901-0000      WITH 4" RISER

2901-0001      WITH 2" RISER

OPTIONS OR MODIFICATIONS:

HANDLES (CROSS OR WRIST) CIRCLE STYLE

VANDAL RESISTANT KIT

OTHER \_\_\_\_\_

FEATURES

CONTROL VALVE

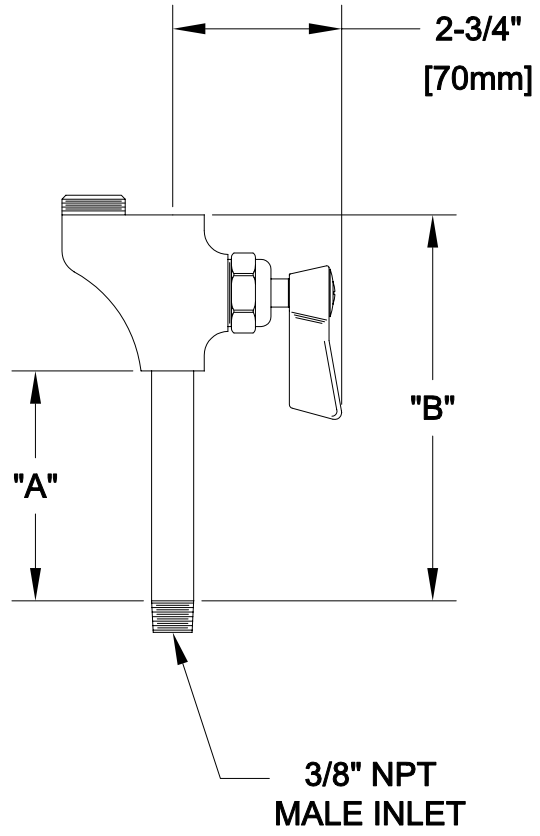
- \* 3/8" MALE INLET
- \* STEM - RIGHT HAND
- \* HOT AND COLD INDEX BUTTONS
- \* SWIVELLING SEAT DISK
- \* STAINLESS STEEL SEAT
- \* STAINLESS STEEL SEAT SCREW
- \* STAINLESS STEEL HANDLE SCREW

SYSTEM LIMITS

- \* TEMP: 40°F MIN. TO 140°F MAX.
- \* PRESSURE: 200 PSI MAX. STATIC

SHIPPING WEIGHT

- \* 1.5 LBS



MODEL	DIM "A"	DIM "B"
2901-0000	3-3/4" [95mm]	6" [152mm]
2901-0001	1-3/4" [45mm]	4" [102mm]